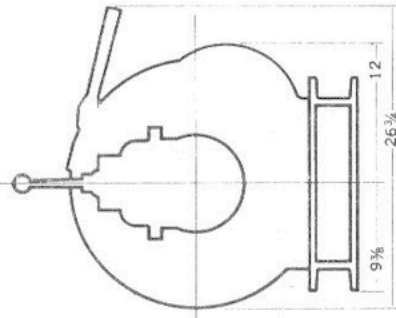
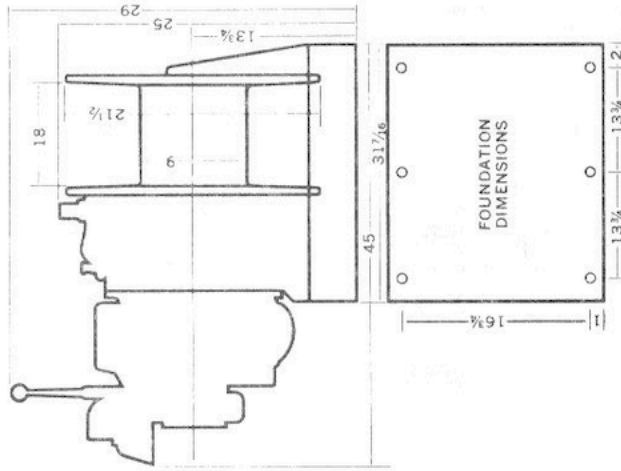


# LF-113



DIMENSIONS (Inches)



## General Specifications

Rated Capacity	@ 100 psig
Maximum Pull at Stall	6400 lbs. (1st turn on drum)
Rope Pull @ Line Speed (drum 1/2 full)	3100 lbs. @ 160 ft/min.
PISTONAIR Motor Model (& Horsepower)	AMP-180 (18 hp)
Air Consumption (at max. horsepower)	530 cfm
Net Weight	870 lbs.
Rope Capacities (smooth wind)	1/2" - 1400 ft., 5/8" - 1125 ft., 3/4" - 765 ft.

### Standard Equipment

Instruction manual & parts list • Reversing throttle valve w/self-centering control • Hand operated toggle band brake • Manual engaged gear clutch •

### Optional Equipment

Exhaust muffler • Automatic brake • Remote control • Metal drum guard • Constant tension manifold • Disc brake Marine protective epoxy paint.